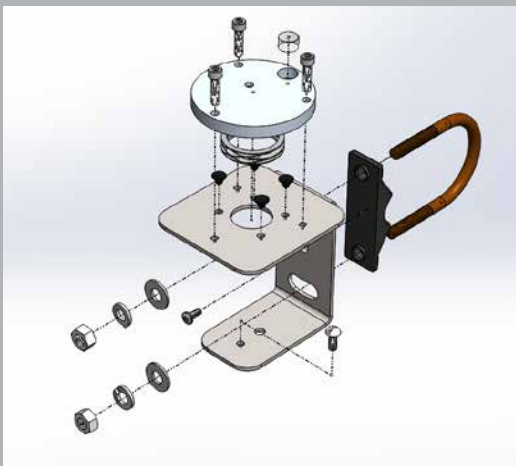


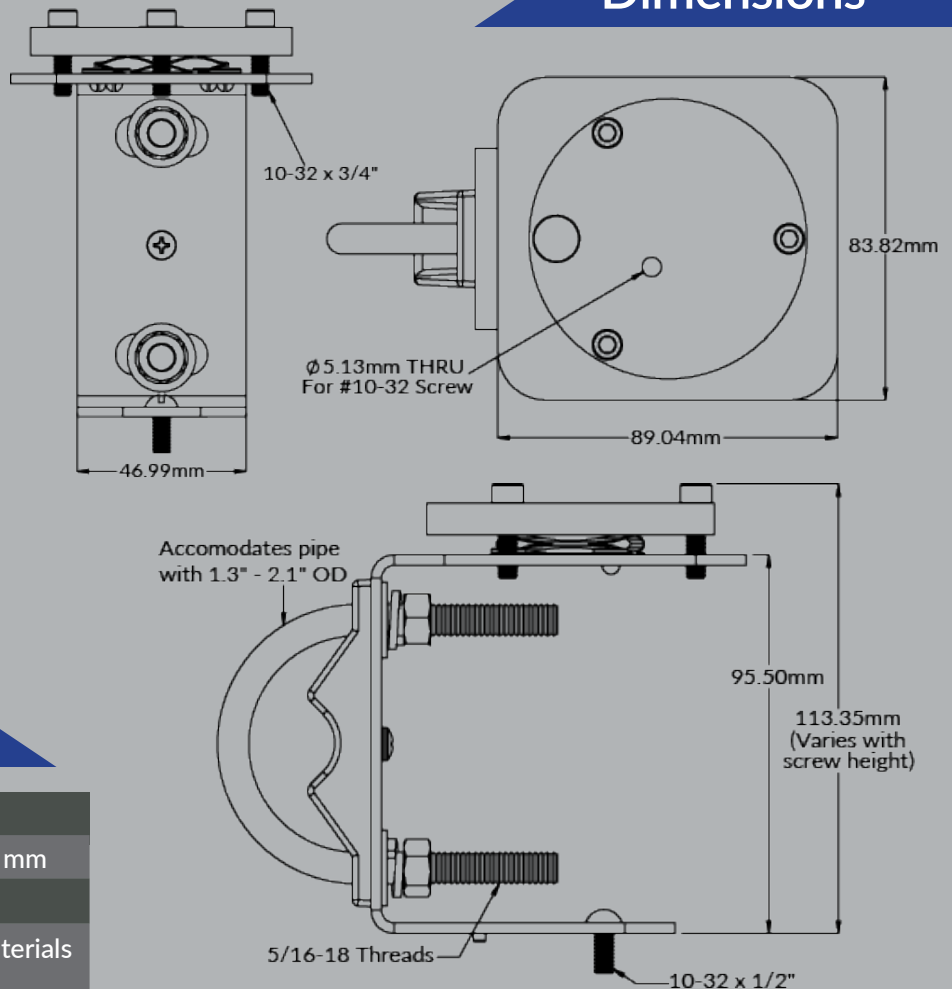


APOGEE ALBEDOMETER MOUNTING BRACKET | AL-130



Accommodates upward- and downward-looking thermopile pyranometers to create an albedometer

Dimensions



Features

Simple and Accurate Mounting
The AL-130 Albedometer Bracket is designed to accommodate the SP-510 upward-looking thermopile pyranometer and the SP-610 downward-looking pyranometer to create an albedometer. The AL-130 bracket is designed to be mounted to a mast or pipe with a 1.3" to 2.1" outer diameter and has an integrated bubble level to make leveling simple and accurate for proper sensor installation.

Product Specifications

AL-130	
Dimensions	113.4 mm x 83.8 mm x 89 mm
Mass	423.1 g
Warranty	4 years against defects in materials and workmanship