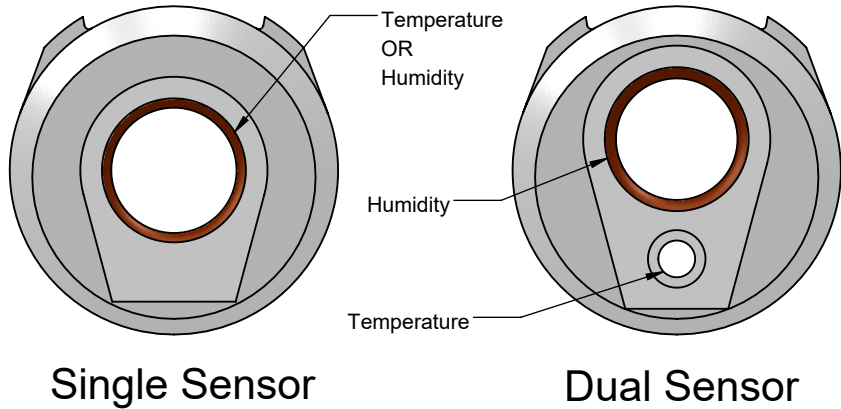


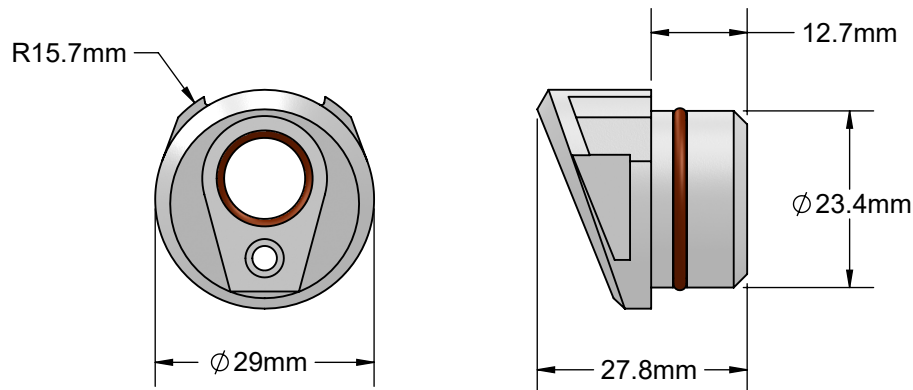
## STANDARD OPTIONS



### Standard sensor options:

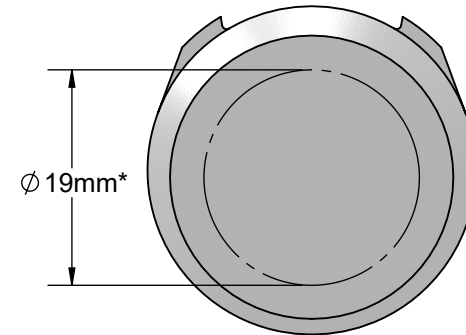
- E+E EE08 Humidity Probe
- Apogee ST-110 Thermistor
- Apogee ST-300 PRT

## DIMENSIONS



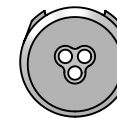
## CUSTOM OPTIONS

3D Printed

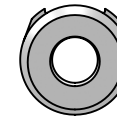


*\*Selection of probe(s) must fit within the area shown above. Other compatibility factors include length, size, quantity, and required space for mounting/sealing. Contact Apogee Instruments for details.*

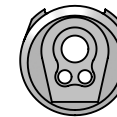
### Example custom options:



Triple Temperature



Vaisala HMP60/110



Campbell Scientific 109  
with Dual Temperature

**apogee**  
INSTRUMENTS

Aspirated Shield Sensor  
Adapter

Information in this drawing is provided for  
reference only.

SCALE: 1.5:1

COPYRIGHT:  
3/25/2019